

# LSK Mounting Instructions



## LSK- (Linear Slide Kit)

**Please Note:** Only use flat-ended hex key.  
Do not use ball-point hex key.

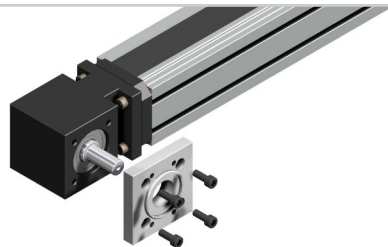
### Coupling Tightening Torque

	Bolt Size	Wrench Size	Torque to: Nm (lb-in)
LSK 21	M3	2.5 mm	2 (18)
LSK 22	M5	4 mm	7 (62)
LSK 23	M4	3 mm	4 (35)
LSK 31	M5	4 mm	8 (71)
LSK 32	M5	4 mm	10 (89)
LSK 33	M5	4 mm	8 (71)
LSK 33	M6	5 mm	14 (124)
LSK 41	M6	5 mm	18 (159)
LSK 42	M8	6 mm	35 (310)
LSK 43	M8	6 mm	40 (354)
LSK 44	M8	6 mm	35 (310)
LSK 44	M10	8 mm	67 (593)

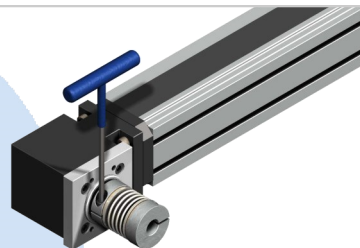
### Other Bolts Tightening Torque

Bolt Size	Wrench Size	Torque to: Nm (lb-in)
M4	3 mm	4 (35)
M5	4 mm	8 (71)
M6	5 mm	13 (115)
M8	6 mm	31 (274)
M10	8 mm	62 (549)

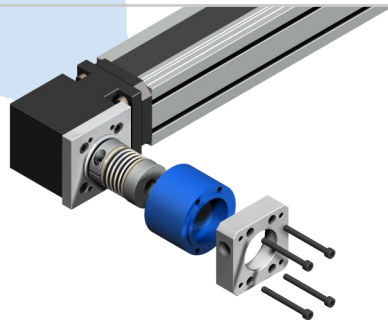
1



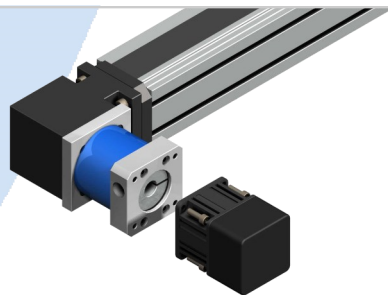
2



3



4



5

